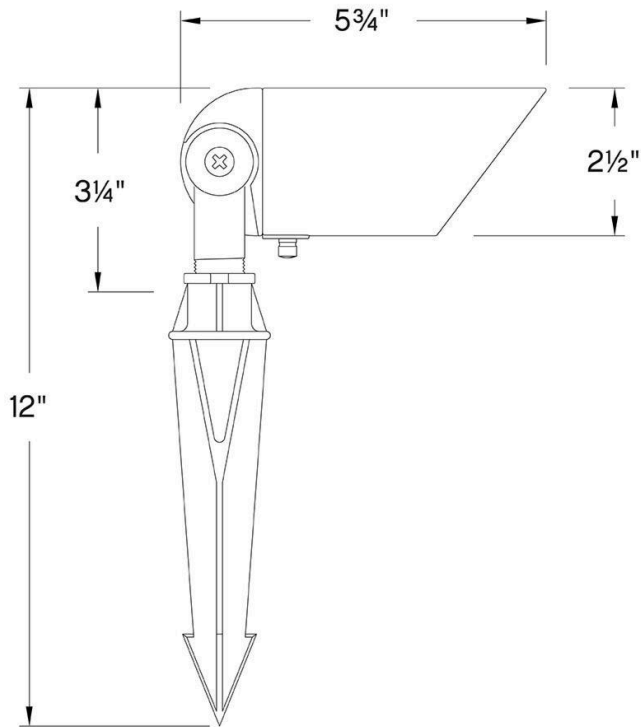


# ACCENT SPOT LIGHT

## 1536BZ-12

### 12V MR16 SPOTLIGHT - 12 PACK

Hinkley's low-voltage Spotlights are engineered to enhance your property with a warm ambient glow. Accentuate your home's architecture, highlight your landscape's natural beauty, and extend outdoor living spaces with optimized illumination. Each package includes 12 spotlights with pre-installed ground spikes for easy and efficient installation.



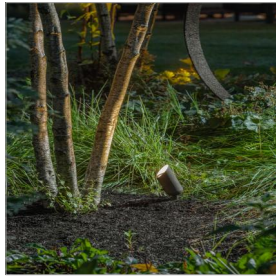
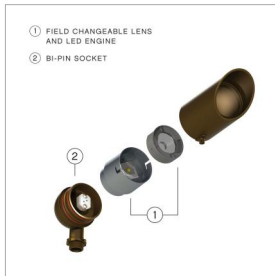
DETAILS	
FINISH:	Bronze
MATERIAL:	Aluminum
GLASS:	Clear Lens
DIMMABLE:	YES - WITH DIMMABLE LAMP (NOT INCLUDED)

DIMENSIONS	
WIDTH:	5.8"
HEIGHT:	3.3"
DEPTH:	2.5
WEIGHT:	1lb

LIGHT SOURCE	
LIGHT SOURCE:	Socketed
WATTAGE:	1-8w MR16 LED, 12w Equiv.
VOLTAGE:	12v
TRANSFORMER REQUIRED:	Yes

MOUNTING	
LEAD WIRE:	1 X 18"

SHIPPING	
CARTON LENGTH:	12
CARTON WIDTH:	9.5
CARTON HEIGHT:	17.8
CARTON WEIGHT:	12



#### PRODUCT DETAILS:

- LED conversion bulbs available
- Suitable for use in wet (outdoor direct rain) locations as defined by NEC and CEC. Meets United States UL Underwriters Laboratories & CSA Canadian Standards Association Product Safety Standards
- Classic lines and heritage details complement traditional architecture
- For more information on how to control your landscape lighting via the Hinkley Home Automation App, [click here](#).
- Package of 12.
- A wiring kit and ground spike are supplied
- Photometrics are based off bulb photometrics.

# HINKLEY

HINKLEY  
33000 Pin Oak Parkway  
Avon Lake, OH 44012

PHONE: (440) 653-5500  
Toll Free: 1 (800) 446-5539

[hinkley.com](http://hinkley.com)