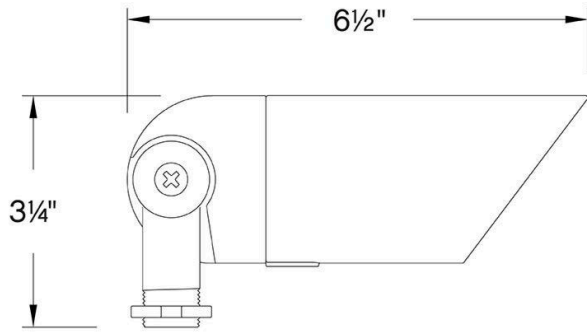


# LUMACORE HARDY ISLAND

## 5536MZ-LMA27K

120V VARIABLE OUTPUT LED 2700K SPOT LIGHT

Accentuate your home's architecture and highlight your landscape's natural beauty with a warm ambient glow. Hinkley's Variable Output LumaCORE™ LED Accent Lighting Systems are expertly engineered to withstand the elements and provide complete control over wattage and beam spread. 120V Spotlights are engineered to enhance your entire property with brighter, more powerful illumination. Named after the ruggedly beautiful island off the coast of British Columbia, our Hardy Island Collection is impeccably constructed with solid cast brass to defy the harshest environments.



DETAILS	
FINISH:	Matte Bronze
MATERIAL:	Brass
GLASS:	Clear Lens
DIMMABLE:	No

DIMENSIONS	
WIDTH:	5.8"
HEIGHT:	3.3"
DEPTH:	2.5
WEIGHT:	1lb

LIGHT SOURCE	
LIGHT SOURCE:	LumaCore
LED NAME:	27G4SE-120V
WATTAGE:	12w, 8w, 5w, 3w LumaCore LED *Included
VOLTAGE:	120v
VOLT AMPS:	12.4, 7.8, 5.3, 3.2
COLOR TEMP:	2700
LUMENS:	750, 475, 350, 260
CRI:	80
INCANDESCENT EQUIVALENCY:	1 x 60w, 45w, 35w, 25w
DIMMABLE:	No

MOUNTING	
LEAD WIRE:	1 X 18"

SHIPPING	
CARTON LENGTH:	11.5
CARTON WIDTH:	4.9
CARTON HEIGHT:	2.8
CARTON WEIGHT:	1.1



### PRODUCT DETAILS:

- LumaCore Series products carry a lifetime limited warranty
- Hardy Island Series products carry a lifetime limited warranty
- Incorporates CREE LEDs with application performance tested by CREE
- Suitable for use in wet (outdoor direct rain) locations as defined by NEC and CEC. Meets United States UL Underwriters Laboratories & CSA Canadian Standards Association Product Safety Standards
- Wattage settings includes: 3W (260 Lumens), 5W (350 Lumens), 8W (475 Lumens), 12W (750 Lumens)
- Photometrics based off engine photometrics.
- Classic lines and heritage details complement traditional architecture
- Three lens options offer versatility in beam spread via an easy to remove and insert assemble - includes: 20Å,Å° Spot, 40Å,Å° Flood, 60Å,Å° Flood

# HINKLEY

HINKLEY  
33000 Pin Oak Parkway  
Avon Lake, OH 44012

PHONE: (440) 653-5500  
Toll Free: 1 (800) 446-5539

[hinkley.com](http://hinkley.com)