

# VAPOR

2854TT

MEDIUM WALL MOUNT LANTERN

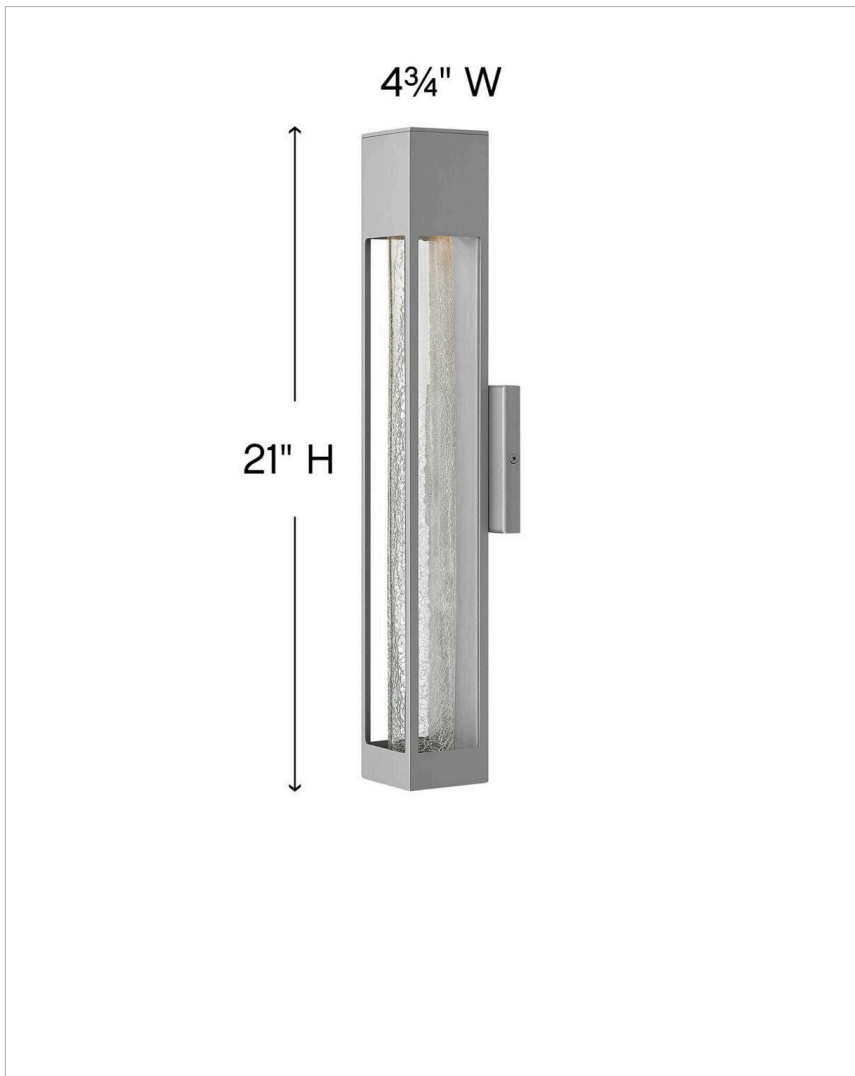
Vapor's streamlined profile allows the spectacular crackled glass to star in this captivating design. The low profile back plate and stamped metal construction project a sleek, contemporary style statement.

| DETAILS   |                                        |
|-----------|----------------------------------------|
| FINISH:   | Titanium                               |
| MATERIAL: | Aluminum                               |
| GLASS:    | Crackle                                |
| DIMMABLE: | YES, WITH DIMMABLE LAMP (NOT INCLUDED) |

| DIMENSIONS     |            |
|----------------|------------|
| WIDTH:         | 4.8"       |
| HEIGHT:        | 21"        |
| WEIGHT:        | 3.5lb      |
| BACK PLATE:    | 4.75" Sq.  |
| EXTENSION:     | 3.8"       |
| TOP TO OUTLET: | 10.500000" |

| LIGHT SOURCE  |          |
|---------------|----------|
| LIGHT SOURCE: | Socketed |
| VOLTAGE:      | 120v     |

| SHIPPING       |     |
|----------------|-----|
| CARTON LENGTH: | 10  |
| CARTON WIDTH:  | 7.5 |
| CARTON HEIGHT: | 24  |
| CARTON WEIGHT: | 5   |



## PRODUCT DETAILS:

- Mounting hardware is hidden on the back plate to ensure a clean silhouette
- Suitable for use in wet (outdoor direct rain) locations as defined by NEC and CEC. Meets United States UL Underwriters Laboratories & CSA Canadian Standards Association Product Safety Standards
- ADA compliant
- Vapor's stunning crackled glass casts spectacular light patterns, adding dramatic visual interest at night
- 2-year finish warranty
- Bold lines and a clean, minimalist style complement contemporary architecture
- For LED lamping, a 6.5w GU10 LED bulb is recommended: GU10LED-3K

# HINKLEY

HINKLEY  
33000 Pin Oak Parkway  
Avon Lake, OH 44012

PHONE: (440) 653-5500  
Toll Free: 1 (800) 446-5539

[hinkley.com](http://hinkley.com)