

TRELLIS

1429DZ

EXTRA SMALL WALL MOUNT LANTERN

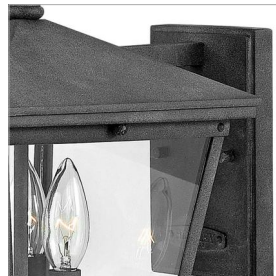
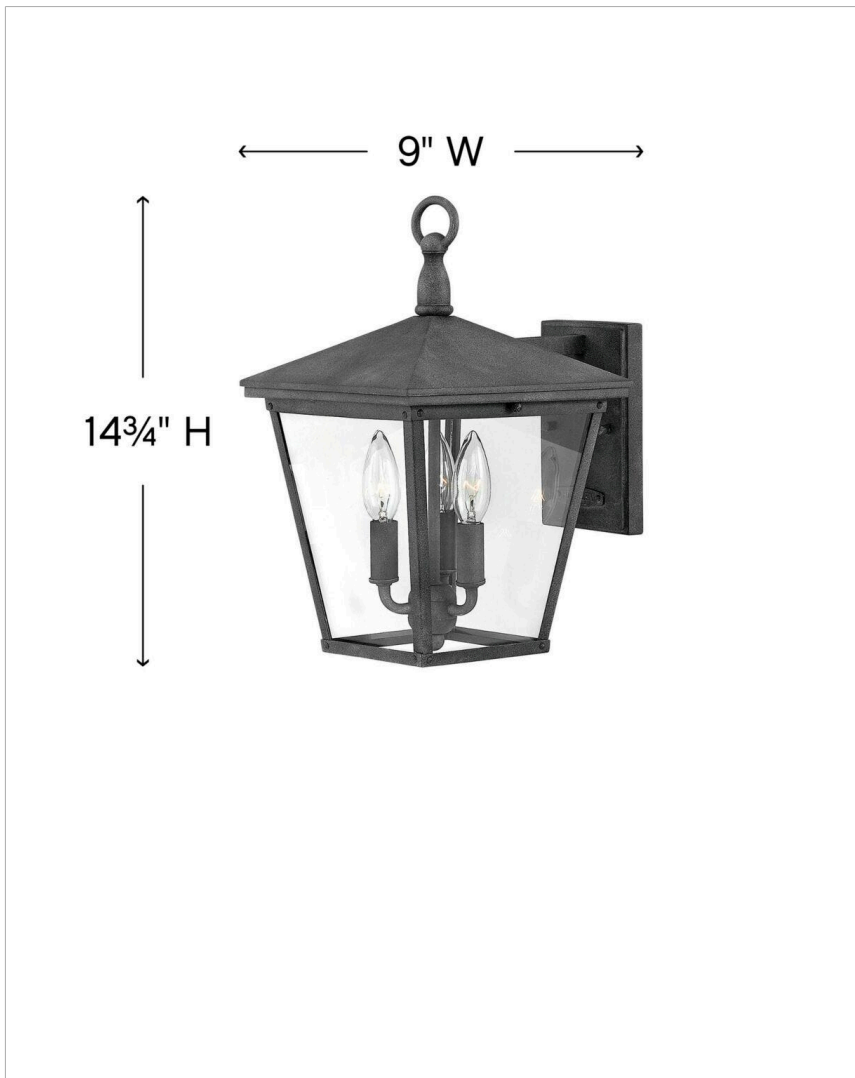
Trellis is a traditional European hanging wall lantern design in an Aged Zinc finish with clear glass or Regency Bronze with clear seeded glass. The large scroll arm detail, cast loop finial and true rivet detail create a refined elegance.

DETAILS	
FINISH:	Aged Zinc
MATERIAL:	Aluminum
GLASS:	Clear
DIMMABLE:	No

DIMENSIONS	
WIDTH:	9"
HEIGHT:	14.8"
WEIGHT:	5.5lb
BACK PLATE:	4.5"W X 7"H
EXTENSION:	11.5"
TOP TO OUTLET:	8.500000"

LIGHT SOURCE	
LIGHT SOURCE:	Socketed
VOLTAGE:	120v

SHIPPING	
CARTON LENGTH:	13.8
CARTON WIDTH:	14
CARTON HEIGHT:	12.6
CARTON WEIGHT:	7.7



PRODUCT DETAILS:

- Suitable for use in wet (outdoor direct rain) locations as defined by NEC and CEC. Meets United States UL Underwriters Laboratories & CSA Canadian Standards Association Product Safety Standards
- Our Estate Collections boast a breadth of fixtures defined by coordinating composition, enduring architecture, and time-honored craftsmanship, designed to meet the needs of expansive properties with extended outdoor living spaces. From the entrance of your driveway to the depths of your backyard, these collections provide cohesive design for stately exteriors.
- Can be used with decorative scroll 1433DZ-SCR
- 2-year finish warranty
- Classic lines and heritage details complement traditional architecture