

QUENTIN

4814DZ

MEDIUM OPEN FRAME

Quentin is constructed of angular forms that create a striking geometric interplay. This stem-hung collection features intersecting rectangles in a bold Aged Zinc finish, forming a modern silhouette. Candle sleeves in Antique Nickel add a distinctively vintage feel that is both hip and historical.

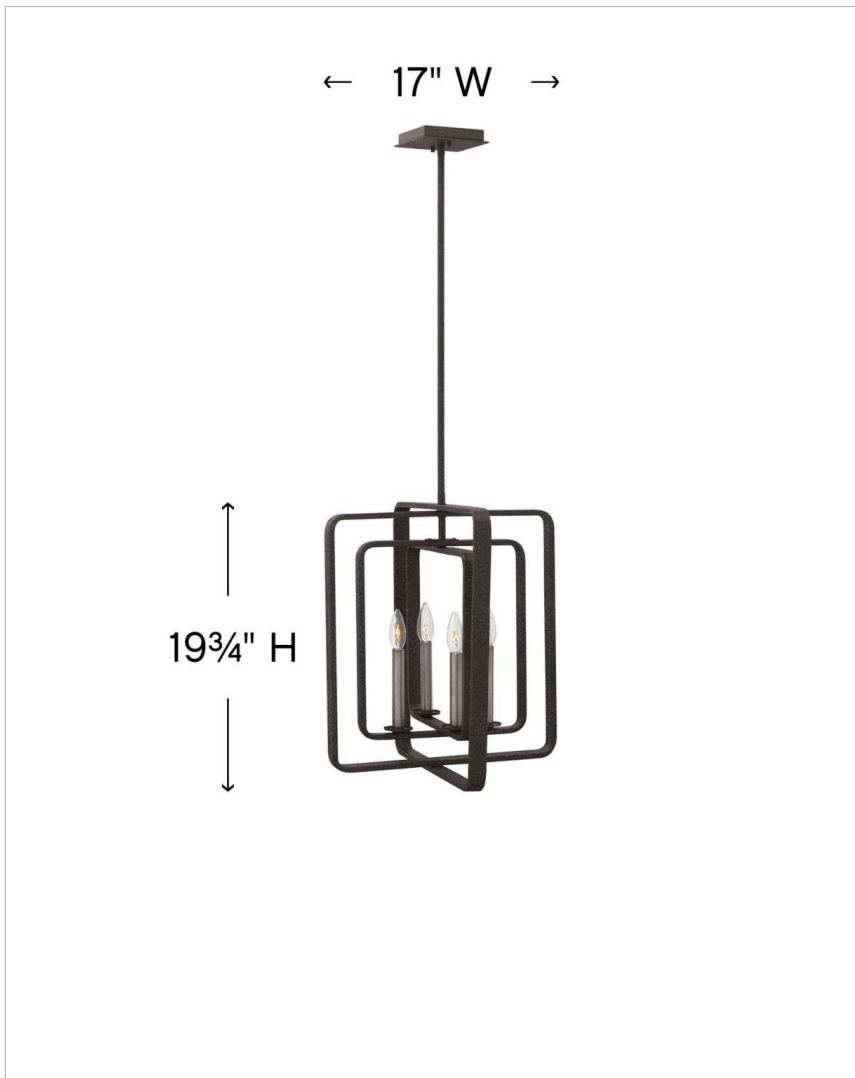
DETAILS	
FINISH:	Aged Zinc
MATERIAL:	Steel
SLOPE DEGREE:	90
DIMMABLE:	No

DIMENSIONS	
WIDTH:	17"
HEIGHT:	19.8"
DEPTH:	17
WEIGHT:	11lb

LIGHT SOURCE	
LIGHT SOURCE:	Socketed
WATTAGE:	4-5w Cand. LED, 60w Equiv. or 4-60w Cand.
VOLTAGE:	120v

MOUNTING	
CANOPY:	4.75" Sq.
LEAD WIRE:	1 X 120"
MAX HEIGHT:	52.8

SHIPPING	
CARTON LENGTH:	19
CARTON WIDTH:	11
CARTON HEIGHT:	23
CARTON WEIGHT:	14



PRODUCT DETAILS:

- This item may be hung on a sloped ceiling
- This fixture includes multiple down stems in various lengths to customize the installation height of the fixture, including one 6" stem and two 12" stems
- Suitable for use in dry (indoor) locations as defined by NEC and CEC. Meets United States UL Underwriters Laboratories & CSA Canadian Standards Association Product Safety Standards.
- Ideal for vintage filament bulbs (not included)
- Angular lines, a bold finish, simple shape and sturdy details merge for a robust but pared down industrial design