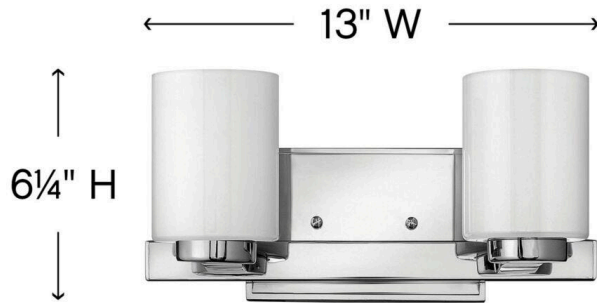


MILEY

5052CM

SMALL TWO LIGHT VANITY

Miley's chic design complements a variety of décors with its sleek lines and elegant glass shape. The cast stepped back plate and cast glass holders in Chrome or Brushed Nickel finishes add to its beauty.

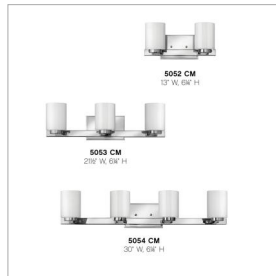


DETAILS	
FINISH:	Chrome
MATERIAL:	Metal
GLASS:	Cased Opal
DIMMABLE:	Yes

DIMENSIONS	
WIDTH:	13"
HEIGHT:	6.3"
WEIGHT:	3.5lb
BACK PLATE:	6.5"W X 4.5"H
EXTENSION:	5.5"
TOP TO OUTLET:	4.000000"

LIGHT SOURCE	
LIGHT SOURCE:	Socketed
WATTAGE:	2-60w G-9 *Included or 2-5w G9 LED, 60w Equiv.
VOLTAGE:	120v

SHIPPING	
CARTON LENGTH:	19.3
CARTON WIDTH:	8
CARTON HEIGHT:	7.3
CARTON WEIGHT:	4.5



PRODUCT DETAILS:

- Suitable for use in damp locations as defined by NEC and CEC. Meets United States UL Underwriters Laboratories & CSA Canadian Standards Association Product Safety Standards.
- Sparkling chrome with reflective finish
- Merging the best of traditional and modern elements with a sophisticated and streamlined look