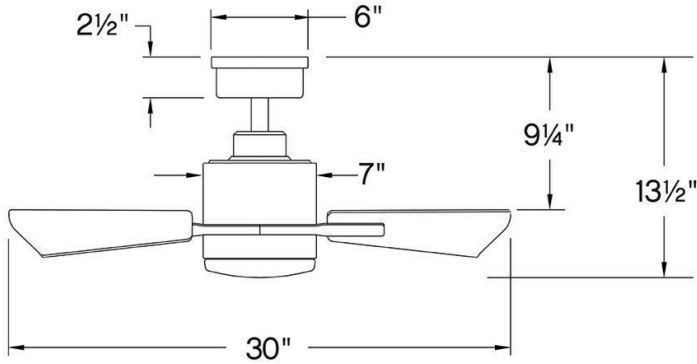


ATOM

906030FHB-LDA

ATOM 30" LED FAN



DETAILS	
FAN FINISH:	Heritage Brass
GLASS:	Etched Opal
BLADE COUNT:	3
SLOPE DEGREE:	20

DIMENSIONS	
WIDTH:	30"
HEIGHT:	13.3"
WEIGHT:	13.2lb

LIGHT SOURCE	
VOLTAGE:	120v

MOUNTING	
CANOPY:	6" Dia.
LEAD WIRE:	1 X 76"
MAX HEIGHT:	13.3

SHIPPING	
CARTON LENGTH:	17.4
CARTON WIDTH:	16.4
CARTON HEIGHT:	9.5
CARTON WEIGHT:	15.3

Part of the Regency Series, Atom's compact modern profile complements functionality with classic finishes to perfectly accentuate smaller spaces. Its damp-rated design is suitable for both interior and covered outdoor areas. Dimmable Integrated LEDs emit warm, even light, creating a comfortable atmosphere. Operated by the HIRO control, the 3-speed AC motor can be WiFi enabled with the purchase of an additional control accessory. Atom mounts directly to its canopy or with the included downrod for dual mount capability. This will result in an overall fan height of 10" and a ceiling-to-blade height of 5 3/4".

PRODUCT DETAILS:

- Classic, elegant lines and timeless details enhance a traditional space
- This item includes a 4.5" down rod. Other various lengths of down rods are available and sold separately to customize the installation height.
- This item includes a light kit cover
- Suitable for use in damp locations as defined by NEC and CEC. Meets United States UL Underwriters Laboratories & CSA Canadian Standards Association Product Safety Standards.
- For more information on how to control your ceiling fan via the Hinkley Home Automation App, [click here](#).
- This item may be hung on a sloped ceiling
- WiFi compatible with included fan control
- LED components carry a 5-year limited warranty

HINKLEY

HINKLEY
33000 Pin Oak Parkway
Avon Lake, OH 44012

PHONE: (440) 653-5500
Toll Free: 1 (800) 446-5539

hinkley.com

ATOM 30" LED FAN

906030FHB-LDA

PERFORMANCE SPECIFICATIONS	STANDARD		DUAL MOUNT	
	HIGH SPEED	AVERAGE SPEED	HIGH SPEED	AVERAGE SPEED
Airflow	2845	2114	2314	1690
EnergyUse	54.8	36	47	30
EnergyCost	15.36	10	13.18	9
Efficiency	52	59	49.2	56
AMPS	0.46	0.34	0.43	0.32
RPMS	234	174	223	100