

SATURN

1901SS

LARGE POST TOP OR PIER MOUNT LANTERN

A stunning modern design, Saturn boasts a robust construction accentuated by bold intersecting lines. A chic glass cylinder creates striking contrast against Saturn's geometric frame, bringing style and dramatic ambiance to any patio or entryway.

DETAILS

FINISH:	Stainless Steel
MATERIAL:	Stainless Steel
GLASS:	Etched Opal
DIMMABLE:	YES, WITH DIMMABLE LAMP (NOT INCLUDED)

DIMENSIONS

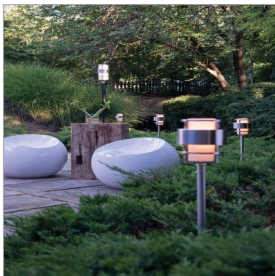
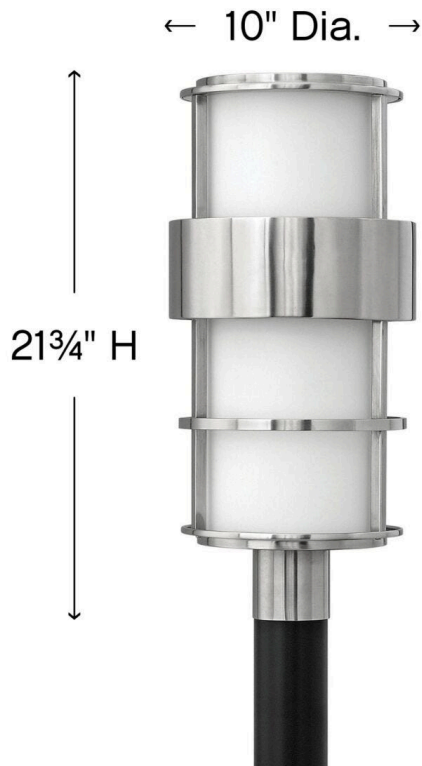
WIDTH:	10"
HEIGHT:	21.8"
WEIGHT:	10lb

LIGHT SOURCE

LIGHT SOURCE:	Socketed
WATTAGE:	1-12w Med. LED, 100W Equiv.
VOLTAGE:	120v

SHIPPING

CARTON LENGTH:	13.5
CARTON WIDTH:	13.5
CARTON HEIGHT:	25
CARTON WEIGHT:	13



PRODUCT DETAILS:

- Stainless steel provides superior strength and performance
- Suitable for use in wet (outdoor direct rain) locations as defined by NEC and CEC. Meets United States UL Underwriters Laboratories & CSA Canadian Standards Association Product Safety Standards
- 2-year finish warranty
- Bold lines and a clean, minimalist style complement contemporary architecture

HINKLEY

HINKLEY
33000 Pin Oak Parkway
Avon Lake, OH 44012

PHONE: (440) 653-5500
Toll Free: 1 (800) 446-5539

hinkley.com