

HOVER FLUSH

900852FMB-LWD

HOVER FLUSH 52" LED SMART FAN

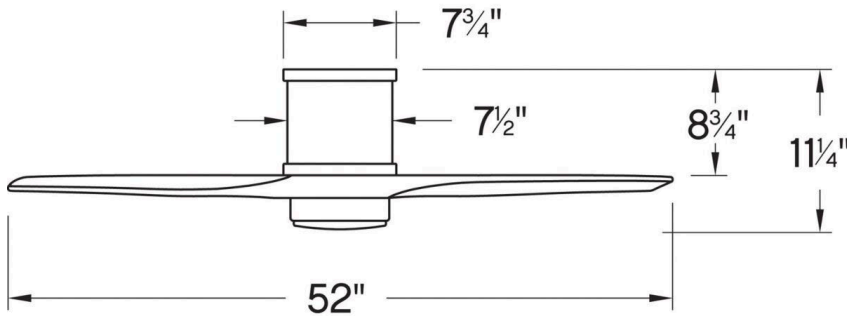
DETAILS	
FAN FINISH:	Matte Black
GLASS:	Etched Opal
BLADE COUNT:	3

DIMENSIONS	
WIDTH:	52"
HEIGHT:	10.5"
WEIGHT:	14.1lb

LIGHT SOURCE	
VOLTAGE:	120v

MOUNTING	
CANOPY:	7.75" Dia.
LEAD WIRE:	1 X 12"

SHIPPING	
CARTON LENGTH:	31.5
CARTON WIDTH:	17
CARTON HEIGHT:	11
CARTON WEIGHT:	24.5



Clean and sleek, Hover Flush is a stunning modern upgrade for any project. Available in a variety of finish and blade combinations, Hover Flush comes equipped with integrated warm-dim LED lighting and DC motor technology to deliver excellent energy efficiency. Hover Flush is so versatile; it can be used for both indoor and outdoor spaces.

PRODUCT DETAILS:

- Fan Control included, HIRO Control - 6 Speed Reversing
- For more information on how to control your ceiling fan via the Hinkley Home Automation App, [click here](#).
- Suitable for use in wet (outdoor direct rain) locations as defined by NEC and CEC. Meets United States UL Underwriters Laboratories & CSA Canadian Standards Association Product Safety Standards
- Bold silhouette with dramatic details creates a modern statement
- WiFi compatible with included fan control
- LED components carry a 5-year limited warranty
- Blades, controls, switches, capacitors and hardware carry a 1-year warranty
- Motor carries a lifetime warranty

HINKLEY

HINKLEY
33000 Pin Oak Parkway
Avon Lake, OH 44012

PHONE: (440) 653-5500
Toll Free: 1 (800) 446-5539

hinkley.com

HOVER FLUSH 52" LED SMART FAN

900852FMB-LWD

PERFORMANCE SPECIFICATIONS	STANDARD	
	HIGH SPEED	AVERAGE SPEED
Airflow	4957	3174
EnergyUse	20.5	13.1
EnergyCost	6	4
Efficiency	242	243
AMPS	0.31	0.18
RPMS	170	108