

QUENTIN

4815KZ

SMALL SIX LIGHT LINEAR

Quentin is constructed of angular forms that create a striking geometric interplay. This stem-hung collection features intersecting rectangles in a bold Buckeye Bronze finish, forming a modern silhouette. Candle sleeves in Heritage Brass add a distinctively vintage feel that is both hip and historical.

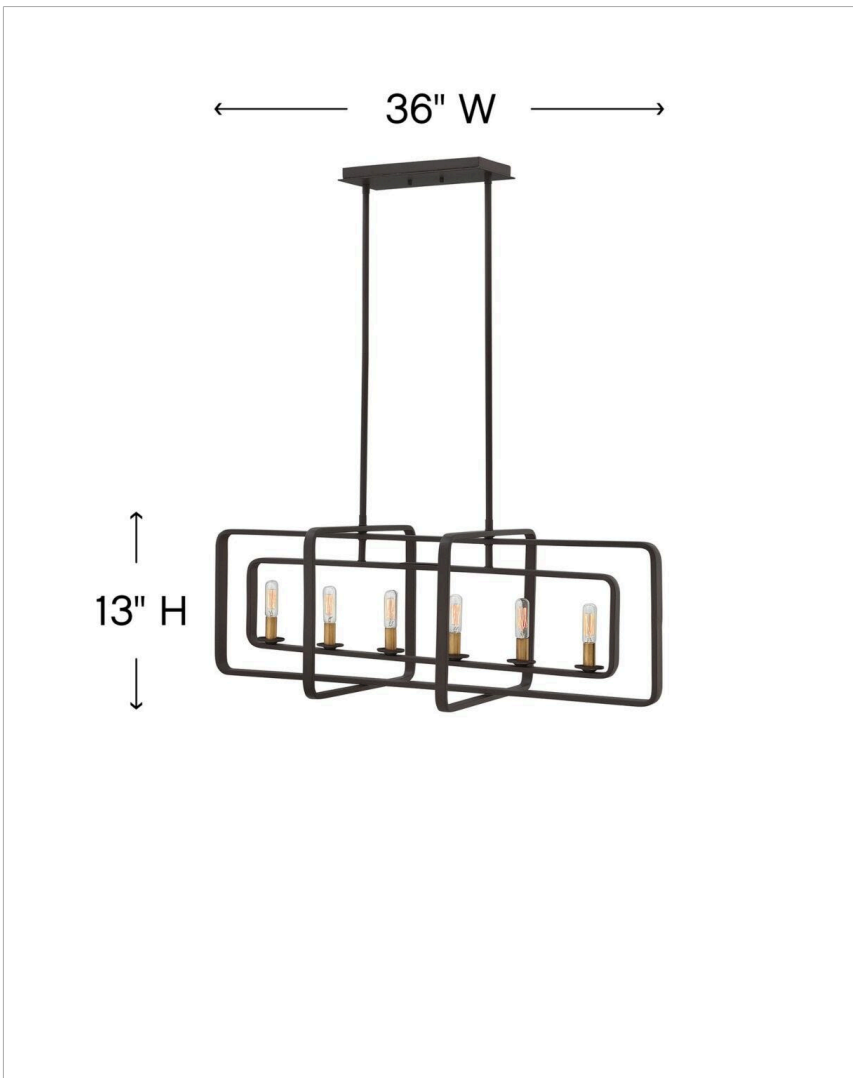
| DETAILS | |
|-----------|--|
| FINISH: | Buckeye Bronze |
| MATERIAL: | Steel |
| DIMMABLE: | YES, WITH DIMMABLE LAMP (NOT INCLUDED) |

| DIMENSIONS | |
|------------|------|
| WIDTH: | 36" |
| HEIGHT: | 13" |
| DEPTH: | 16 |
| WEIGHT: | 13lb |

| LIGHT SOURCE | |
|---------------|----------------------------|
| LIGHT SOURCE: | Socketed |
| WATTAGE: | 6-5w Cand. LED, 60w Equiv. |
| VOLTAGE: | 120v |

| MOUNTING | |
|-------------|---------------|
| CANOPY: | 5"W X 11.75"L |
| LEAD WIRE: | 1 X 120" |
| MAX HEIGHT: | 46 |

| SHIPPING | |
|----------------|------|
| CARTON LENGTH: | 39 |
| CARTON WIDTH: | 9 |
| CARTON HEIGHT: | 16 |
| CARTON WEIGHT: | 19.8 |



PRODUCT DETAILS:

- Suitable for use in dry (indoor) locations as defined by NEC and CEC. Meets United States UL Underwriters Laboratories & CSA Canadian Standards Association Product Safety Standards.
- This fixture includes multiple down stems in various lengths to customize the installation height, including two 6" stems and four 12" stems
- Ideal for vintage filament bulbs (not included)
- Angular lines, a bold finish, simple shape and sturdy details merge for a robust but pared down industrial design

HINKLEY

HINKLEY
33000 Pin Oak Parkway
Avon Lake, OH 44012

PHONE: (440) 653-5500
Toll Free: 1 (800) 446-5539

hinkley.com