

# SCULPT

903660FWW-LDD

SCULPT 60" LED SMART FAN

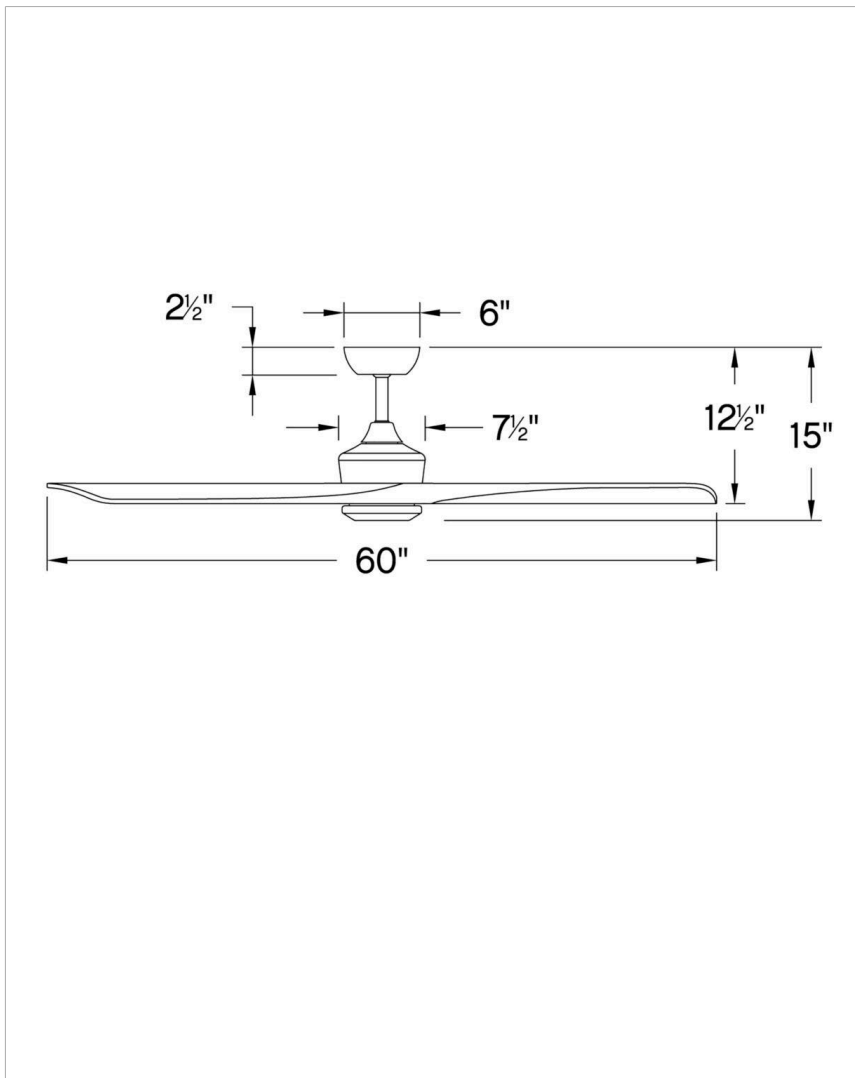
| DETAILS       |             |
|---------------|-------------|
| FAN FINISH:   | Matte White |
| GLASS:        | Etched Opal |
| BLADE COUNT:  | 3           |
| SLOPE DEGREE: | 20          |

| DIMENSIONS |        |
|------------|--------|
| WIDTH:     | 60"    |
| HEIGHT:    | 15.3"  |
| WEIGHT:    | 14.8lb |

| LIGHT SOURCE |      |
|--------------|------|
| VOLTAGE:     | 120v |

| MOUNTING   |         |
|------------|---------|
| CANOPY:    | 6" Dia. |
| LEAD WIRE: | 1 X 76" |

| SHIPPING       |      |
|----------------|------|
| CARTON LENGTH: | 46   |
| CARTON WIDTH:  | 16.4 |
| CARTON HEIGHT: | 11.4 |
| CARTON WEIGHT: | 24.4 |



Sculpt defines modern elegance, featuring solid wood complemented by clean etched opal glass, seamlessly adding contemporary character to any setting. Available in a variety of finish and blade combinations. Damp rated for both interior and covered outdoor spaces. Equipped with a 6-speed DC motor that is WiFi enabled and ready to connect right out of the box. Operated by the HIRO control or WiFi compatible with the Hinkley App.

## PRODUCT DETAILS:

- This item includes a light kit cover
- Fan Control included, HIRO Control - 6 Speed Reversing
- Suitable for use in damp locations as defined by NEC and CEC. Meets United States UL Underwriters Laboratories & CSA Canadian Standards Association Product Safety Standards.
- For more information on how to control your ceiling fan via the Hinkley Home Automation App, [click here](#).
- This item may be hung on a sloped ceiling
- Bold silhouette with dramatic details creates a modern statement
- WiFi compatible with included fan control
- LED components carry a 5-year limited warranty

# HINKLEY

HINKLEY  
33000 Pin Oak Parkway  
Avon Lake, OH 44012

PHONE: (440) 653-5500  
Toll Free: 1 (800) 446-5539

[hinkley.com](http://hinkley.com)

# SCULPT 60" LED SMART FAN

903660FWW-LDD

| PERFORMANCE SPECIFICATIONS | STANDARD   |               |
|----------------------------|------------|---------------|
|                            | HIGH SPEED | AVERAGE SPEED |
| Airflow                    | 7344       | 4956          |
| EnergyUse                  | 34.7       | 22            |
| EnergyCost                 | 9.74       | 6             |
| Efficiency                 | 211        | 223           |
| AMPS                       | 0.48       | 0.27          |
| RPMS                       | 185        | 122           |