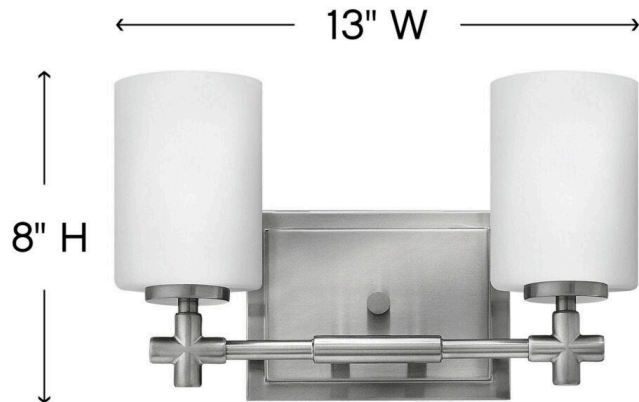


LAUREL

57552BN

SMALL TWO LIGHT VANITY

Laurel's appealing form combines both traditional and transitional design elements. Available Brushed Nickel, and features etched opal glass shades and medium base bulbging. Chic details, such as a precision die-cast cross reminiscent of a timeless faucet handle, and a cast stepped backplate, convey a lasting elegance.

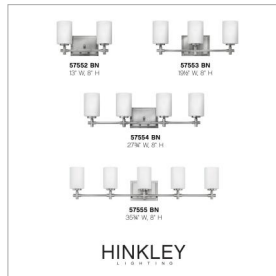


DETAILS	
FINISH:	Brushed Nickel
MATERIAL:	Steel
GLASS:	Etched Opal
DIMMABLE:	YES, WITH DIMMABLE LAMP (NOT INCLUDED)

DIMENSIONS	
WIDTH:	13"
HEIGHT:	8"
WEIGHT:	3.5lb
BACK PLATE:	6.75"W X 5"H
EXTENSION:	5"
TOP TO OUTLET:	5.500000"

LIGHT SOURCE	
LIGHT SOURCE:	Socketed
WATTAGE:	2-14w Med. LED, 100w Equiv.
VOLTAGE:	120v

SHIPPING	
CARTON LENGTH:	14
CARTON WIDTH:	10
CARTON HEIGHT:	9
CARTON WEIGHT:	4.5



PRODUCT DETAILS:

- Fixture can be mounted either up or down
- Suitable for use in damp locations as defined by NEC and CEC. Meets United States UL Underwriters Laboratories & CSA Canadian Standards Association Product Safety Standards.
- Merging the best of traditional and modern elements with a sophisticated and streamlined look