

VAPOR

2855TT

LARGE WALL MOUNT LANTERN

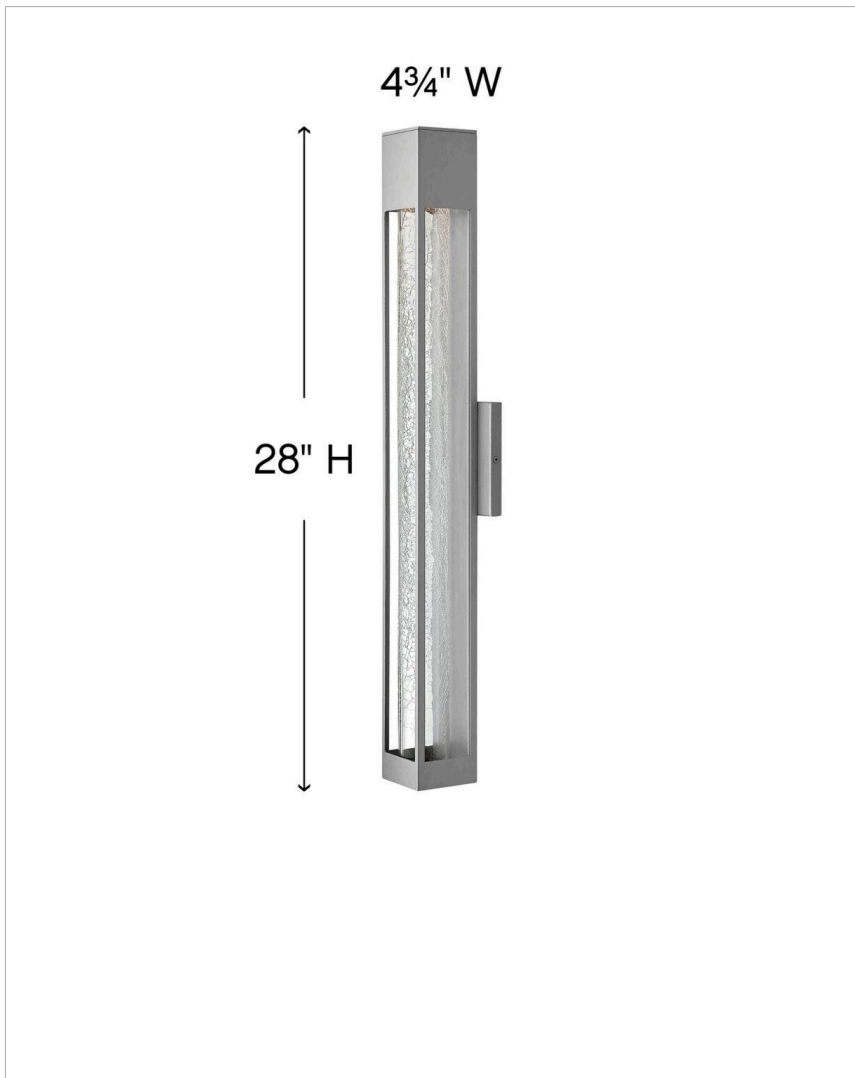
Vapor's streamlined profile allows the spectacular crackled glass to star in this captivating design. The low-profile backplate and stamped metal construction project a sleek, contemporary style statement.

DETAILS	
FINISH:	Titanium
MATERIAL:	Aluminum
GLASS:	Crackle
DIMMABLE:	YES, CL TYPE DIMMER (SSL7A)

DIMENSIONS	
WIDTH:	4.8"
HEIGHT:	28"
WEIGHT:	5lb
BACK PLATE:	4.75" Sq.
EXTENSION:	3.8"
TOP TO OUTLET:	14.250000"

LIGHT SOURCE	
LIGHT SOURCE:	Socketed
WATTAGE:	1-7w GU10 LED, 35w Equiv.
VOLTAGE:	120v

SHIPPING	
CARTON LENGTH:	10
CARTON WIDTH:	7.5
CARTON HEIGHT:	31
CARTON WEIGHT:	6.5



PRODUCT DETAILS:

- For LED lamping, a 6.5w GU10 LED bulb is recommended: GU10LED-3K
- Suitable for use in wet (outdoor direct rain) locations as defined by NEC and CEC. Meets United States UL Underwriters Laboratories & CSA Canadian Standards Association Product Safety Standards
- Vapor's stunning crackled glass casts spectacular light patterns, adding dramatic visual interest at night
- 2-year finish warranty
- ADA compliant
- Bold lines and a clean, minimalist style complement contemporary architecture
- Mounting hardware is hidden on the back plate to ensure a clean silhouette

HINKLEY

HINKLEY
33000 Pin Oak Parkway
Avon Lake, OH 44012

PHONE: (440) 653-5500
Toll Free: 1 (800) 446-5539

hinkley.com