

# MARIN

## 903160FMW-NDD

MARIN 60" LED SMART FAN

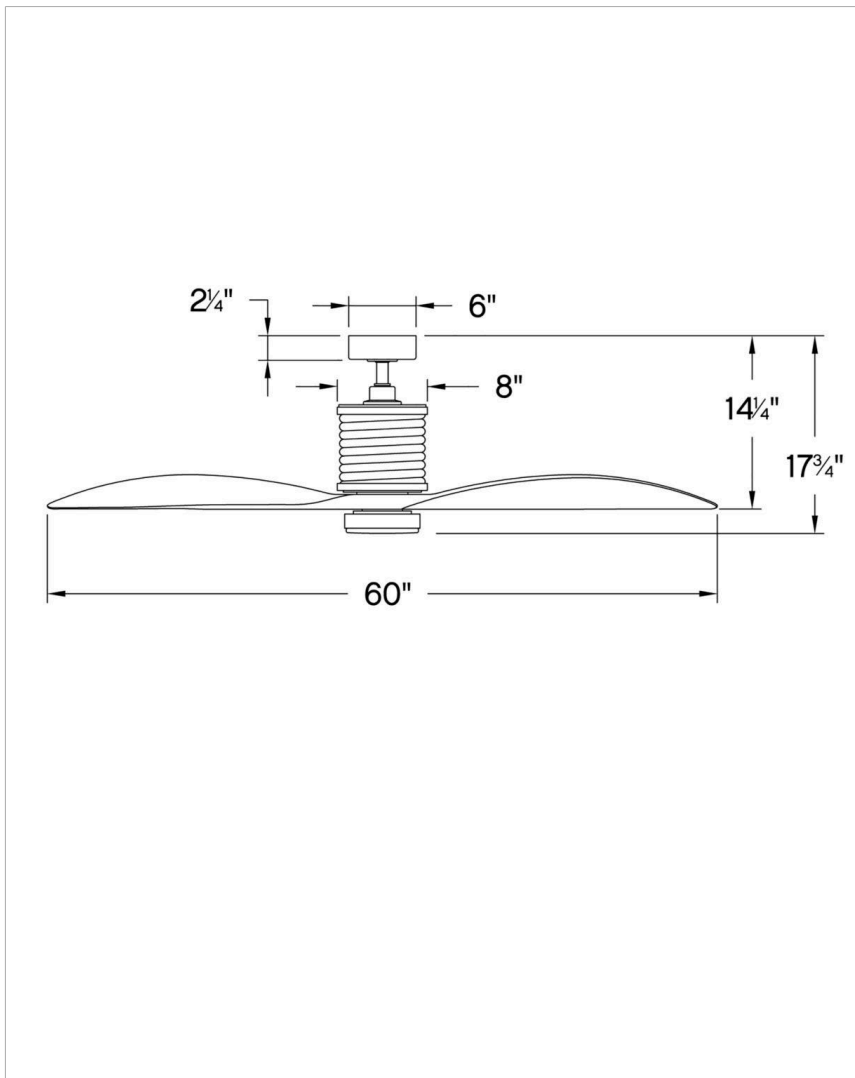
DETAILS	
FAN FINISH:	Matte White
GLASS:	Etched Opal
BLADE COUNT:	3
SLOPE DEGREE:	20

DIMENSIONS	
WIDTH:	60"
HEIGHT:	17.8"
WEIGHT:	21lb

LIGHT SOURCE	
VOLTAGE:	120v

MOUNTING	
CANOPY:	6" Dia.
LEAD WIRE:	1 X 76"

SHIPPING	
CARTON LENGTH:	32.2
CARTON WIDTH:	10.1
CARTON HEIGHT:	18.4
CARTON WEIGHT:	24.5



Modern meets maritime in the sleek Marin. Designed with a nautical flair in mind, Marin is available in Matte White, Metallic Matte Bronze, and Matte Black finishes and features composite blades. Marin is so versatile; it can be used for both indoor and outdoor spaces.

### PRODUCT DETAILS:

- This item includes a 4.5" down rod. Other various lengths of down rods are available and sold separately to customize the installation height.
- This item includes a light kit cover
- Fan Control included, HIRO Control - 6 Speed Reversing
- Suitable for use in damp locations as defined by NEC and CEC. Meets United States UL Underwriters Laboratories & CSA Canadian Standards Association Product Safety Standards.
- For more information on how to control your ceiling fan via the Hinkley Home Automation App, [click here](#).
- This item may be hung on a sloped ceiling
- WiFi compatible with included fan control
- LED components carry a 5-year limited warranty

# HINKLEY

HINKLEY  
33000 Pin Oak Parkway  
Avon Lake, OH 44012

PHONE: (440) 653-5500  
Toll Free: 1 (800) 446-5539

[hinkley.com](http://hinkley.com)

# MARIN 60" LED SMART FAN

903160FMW-NDD

PERFORMANCE SPECIFICATIONS	STANDARD	
	HIGH SPEED	AVERAGE SPEED
Airflow	6339	4792
EnergyUse	26.5	17
EnergyCost	7	5
Efficiency	239	273
AMPS	0.36	0.21
RPMS	105	75