

FORGE

12071AL

LARGE POST TOP OR PIER MOUNT LANTERN

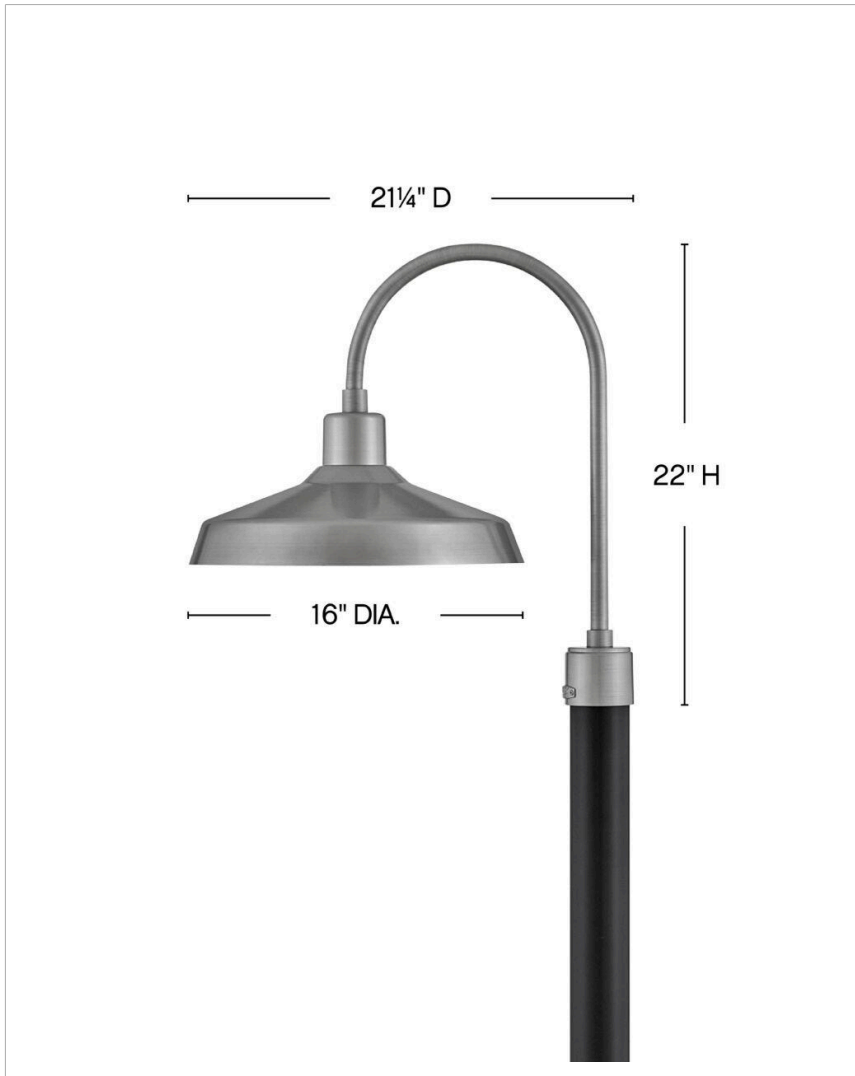
Inspired by a lighting industry staple barn light, Forge features a practical outdoor lighting solution to withstand the elements. Whether it is enduring harsh sunrays, extreme cold or continuous salt air, Forge is built to last with an industrial chic flair. Part of the Coastal Elements Collection, Forge is available in a variety of anti-fading finishes that are resistant to rust and corrosion with a 5-year warranty.

DETAILS	
FINISH:	Antique Brushed Aluminum
MATERIAL:	Composite
DIMMABLE:	YES - WITH DIMMABLE LAMP (NOT INCLUDED)

DIMENSIONS	
WIDTH:	16"
HEIGHT:	22"
DEPTH:	21.3
WEIGHT:	4lb

LIGHT SOURCE	
LIGHT SOURCE:	Socketed
WATTAGE:	1-14w Med. LED, 100w Equiv.
VOLTAGE:	120v

SHIPPING	
CARTON LENGTH:	24.8
CARTON WIDTH:	18.5
CARTON HEIGHT:	11
CARTON WEIGHT:	6.9



FORGE™ Inspired by a lighting industry staple barn light, Forge features a practical outdoor lighting solution to withstand the elements. Forge is built to last with an industrial chic flair. Part of the Coastal Elements Collection, Forge is available in a variety of anti-fading finishes that are resistant to rust and corrosion with a 5-year warranty.

PRODUCT DETAILS:

- 5-year finish warranty
- Angular lines, a bold finish and robust details create an industrial edge to add flair to any type of facade
- Suitable for use in wet (outdoor direct rain) locations as defined by NEC and CEC. Meets United States UL Underwriters Laboratories & CSA Canadian Standards Association Product Safety Standards
- The Coastal Elements Collection offers versatile designs, constructed of composite materials and coated with anti-fading finishes, for maximum durability in harsh climates
- Fixture is Dark Sky compliant and engineered to minimize light glare upward into the night sky

HINKLEY

HINKLEY
33000 Pin Oak Parkway
Avon Lake, OH 44012

PHONE: (440) 653-5500
Toll Free: 1 (800) 446-5539

hinkley.com