

# VUE

## 12312BZ

### MEDIUM WALL MOUNT LANTERN

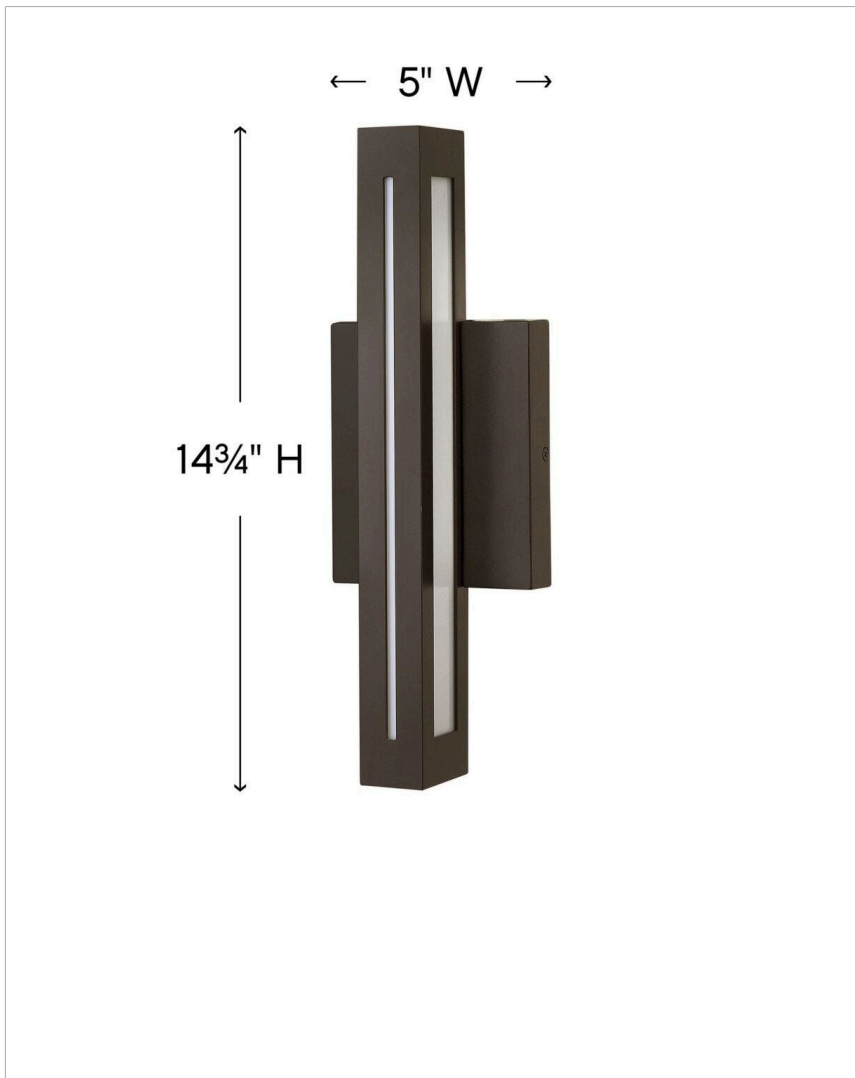
Vue's contemporary linear LED design is constructed of extruded and die-cast aluminum and is offered in either Bronze or Titanium finishes. The seamless architectural form emits light from white acrylic side windows and sleek front sliver. Incredibly versatile, the wet-rated Vue can be mounted vertically or horizontally, inside or outdoors.

DETAILS	
FINISH:	Bronze
MATERIAL:	Aluminum
GLASS:	Acrylic Lens
DIMMABLE:	YES, CL TYPE DIMMER (SSL7A)

DIMENSIONS	
WIDTH:	5"
HEIGHT:	14.8"
WEIGHT:	2lb
BACK PLATE:	5"W X 6"H
EXTENSION:	3"
TOP TO OUTLET:	7.500000"

LIGHT SOURCE	
LIGHT SOURCE:	Integrated LED
WATTAGE:	15w LED *Included
VOLTAGE:	120v

SHIPPING	
CARTON LENGTH:	16.5
CARTON WIDTH:	7.5
CARTON HEIGHT:	6
CARTON WEIGHT:	3



#### PRODUCT DETAILS:

- Fixture can be mounted horizontally.
- LED components carry a 5-year limited warranty
- Suitable for use in wet (outdoor direct rain) locations as defined by NEC and CEC. Meets United States UL Underwriters Laboratories & CSA Canadian Standards Association Product Safety Standards
- 2-year finish warranty
- ADA compliant
- Exclusively available in High Performance LED
- Bold lines and a clean, minimalist style complement contemporary architecture
- Mounting hardware is hidden on the back plate to ensure a clean silhouette

# HINKLEY

HINKLEY  
33000 Pin Oak Parkway  
Avon Lake, OH 44012

PHONE: (440) 653-5500  
Toll Free: 1 (800) 446-5539

[hinkley.com](http://hinkley.com)