

STINSON

3539DA

MEDIUM SIX LIGHT LINEAR

For a classic statement-maker, Stinson hits the mark. A robust open and airy cage, designed for maximum impact in Distressed Brass or Black with Polished Nickel finish, is accompanied by refined sparkling crystal accents to create the perfect mix of traditional appeal and industrial panache.

DETAILS

FINISH:	Distressed Brass
MATERIAL:	Steel
DIMMABLE:	YES, WITH DIMMABLE LAMP (NOT INCLUDED)

DIMENSIONS

WIDTH:	42"
HEIGHT:	24.5"
DEPTH:	12
WEIGHT:	14.7lb

LIGHT SOURCE

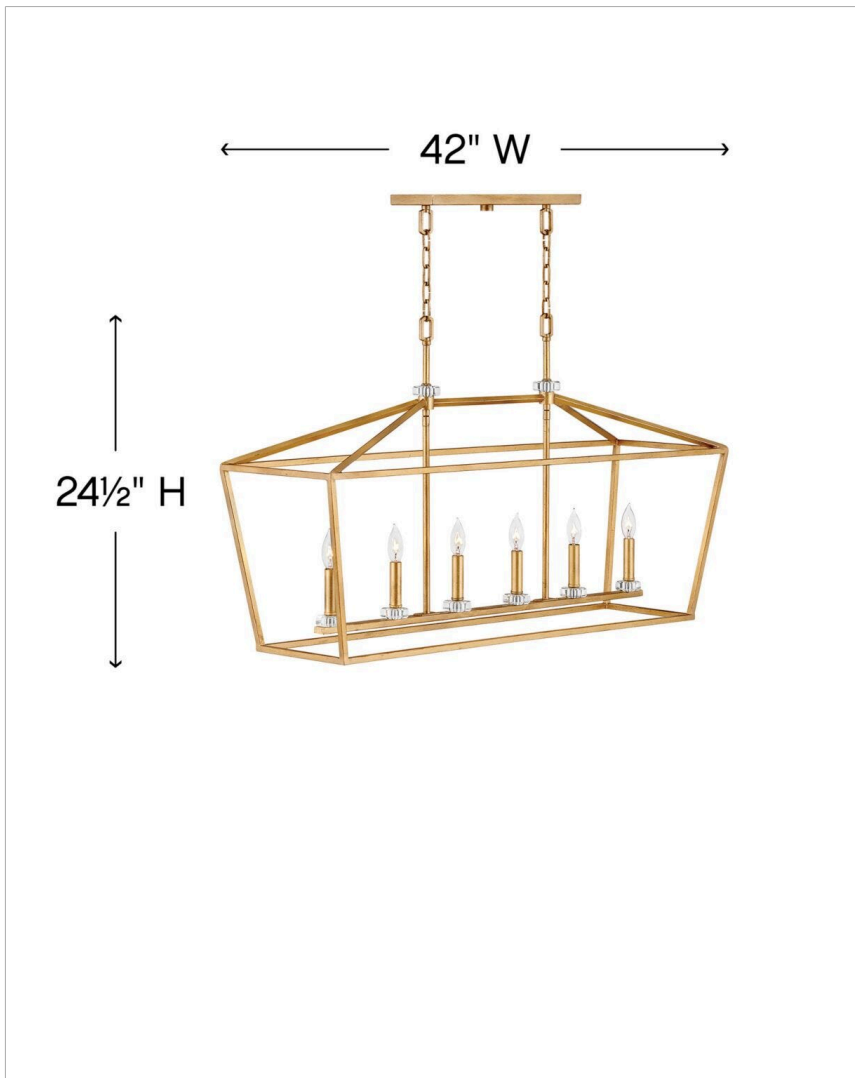
LIGHT SOURCE:	Socketed
WATTAGE:	6-5w Cand. LED, 60w Equiv.
VOLTAGE:	120v

MOUNTING

CANOPY:	4.5"W X 15.75"L
LEAD WIRE:	1 X 120"

SHIPPING

CARTON LENGTH:	44.5
CARTON WIDTH:	14.3
CARTON HEIGHT:	22.3
CARTON WEIGHT:	21.6



PRODUCT DETAILS:

- Suitable for use in dry (indoor) locations as defined by NEC and CEC. Meets United States UL Underwriters Laboratories & CSA Canadian Standards Association Product Safety Standards.
- Merging the best of traditional and modern elements with a sophisticated and streamlined look

HINKLEY

HINKLEY
33000 Pin Oak Parkway
Avon Lake, OH 44012

PHONE: (440) 653-5500
Toll Free: 1 (800) 446-5539

hinkley.com