

SAWYER

29207DZ

LARGE SINGLE TIER CHANDELIER

The fresh, rustic design of the Sawyer collection will inject any outdoor living experience with the warm, cozy ambiance of an indoor setting. Constructed with Hinkley's own anti-corrosion coating, Sawyer ensures maximum resiliency and performance in the elements.

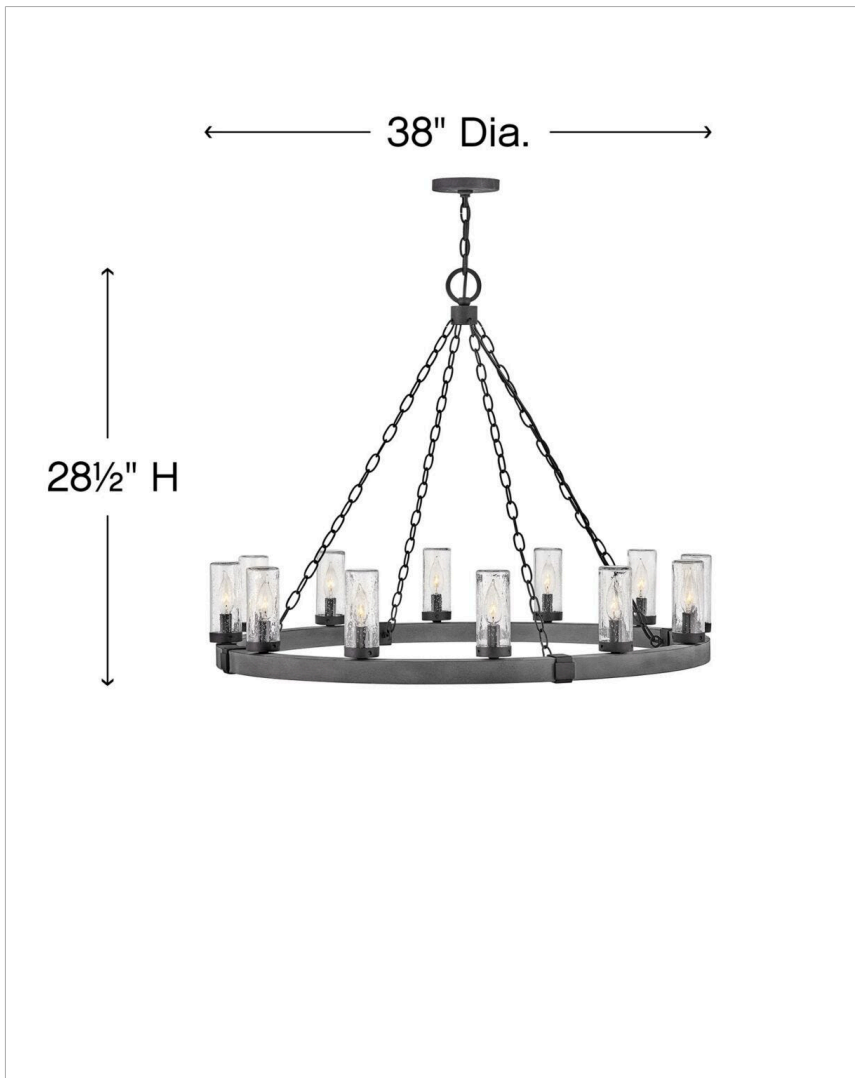
DETAILS	
FINISH:	Aged Zinc
MATERIAL:	Metal
GLASS:	Clear Seedy
SLOPE DEGREE:	90
DIMMABLE:	YES, WITH DIMMABLE LAMP (NOT INCLUDED)

DIMENSIONS	
WIDTH:	38"
HEIGHT:	28.5"
WEIGHT:	25.3lb

LIGHT SOURCE	
LIGHT SOURCE:	Socketed
WATTAGE:	12-5w Cand. LED, 60w Equiv.
VOLTAGE:	120v

MOUNTING	
CANOPY:	5.25" Dia.
LEAD WIRE:	1 X 120"

SHIPPING	
CARTON LENGTH:	42
CARTON WIDTH:	7
CARTON HEIGHT:	42
CARTON WEIGHT:	30.8



PRODUCT DETAILS:

- This item may be hung on a sloped ceiling
- Suitable for use in wet (outdoor direct rain) locations as defined by NEC and CEC. Meets United States UL Underwriters Laboratories & CSA Canadian Standards Association Product Safety Standards
- Rustic elements with bold, refined details complement a variety of facades from farmhouse to contemporary architecture
- The stylish Open Air collection includes outdoor-rated chandeliers, pendants and sconces that provide design-conscious solutions to a variety of exterior environments.
- 2-year finish warranty
- Ideal for vintage filament bulbs (not included)

HINKLEY

HINKLEY
33000 Pin Oak Parkway
Avon Lake, OH 44012

PHONE: (440) 653-5500
Toll Free: 1 (800) 446-5539

hinkley.com