

# BRYCE

904627FMB-LIA

BRYCE 27" LED FANDELIER

## DETAILS

FAN FINISH:	Matte Black
BLADE COUNT:	3
SLOPE DEGREE:	20

## DIMENSIONS

WIDTH:	27"
HEIGHT:	18.5"
WEIGHT:	22.4lb

## LIGHT SOURCE

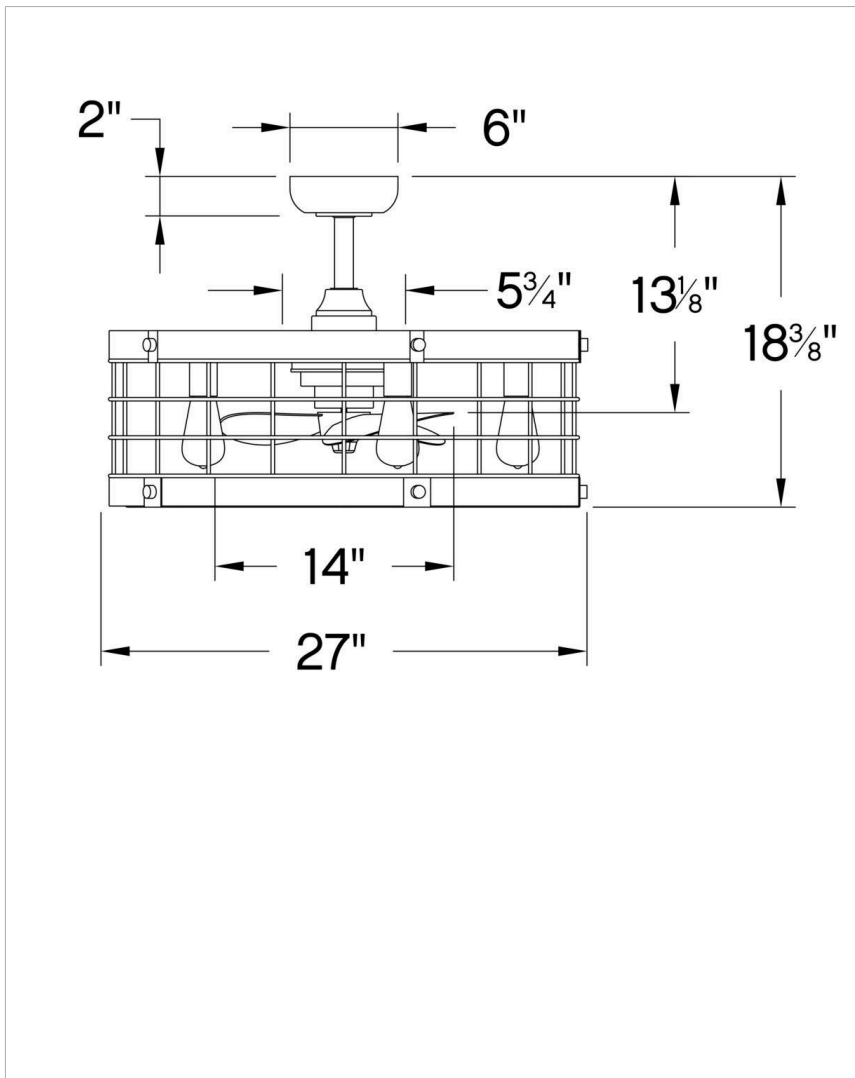
VOLTAGE:	120v
----------	------

## MOUNTING

CANOPY:	6" Dia.
LEAD WIRE:	1 X 76"

## SHIPPING

CARTON LENGTH:	29.2
CARTON WIDTH:	14.6
CARTON HEIGHT:	29.2
CARTON WEIGHT:	28.4



Bryce boasts industrial and rustic elements, which marry together in a winning combination — deeming this the ultimate transitional piece for any home. Available in Matte Black with Driftwood, Brushed Nickel with Weathered Wood, or Heritage Brass with Matte Black, your design options are vast and versatile.

## PRODUCT DETAILS:

- Suitable for use in dry (indoor) locations as defined by NEC and CEC. Meets United States UL Underwriters Laboratories & CSA Canadian Standards Association Product Safety Standards.
- For more information on how to control your ceiling fan via the Hinkley Home Automation App, [click here](#).
- This item may be hung on a sloped ceiling
- LED bulbs carry a 3-year limited warranty
- Accessory controls available that are compatible with your WiFi for the ultimate Smart Home connectivity
- This item includes a 6" down rod. Other various lengths of down rods are available and sold separately to customize the installation height.
- Merging the best of traditional and modern elements with a sophisticated and streamlined look
- Fan Control included, HIRO Control - 3 Speed Reversing

# HINKLEY

HINKLEY  
33000 Pin Oak Parkway  
Avon Lake, OH 44012

PHONE: (440) 653-5500  
Toll Free: 1 (800) 446-5539

[hinkley.com](http://hinkley.com)

# BRYCE 27" LED FANDELIER

904627FMB-LIA

PERFORMANCE SPECIFICATIONS	STANDARD	
	HIGH SPEED	AVERAGE SPEED
Airflow	1461	1126
EnergyUse	35.9	27
EnergyCost	10.06	7
Efficiency	41	42
AMPS	0.3	0.26
RPMS	1228	944