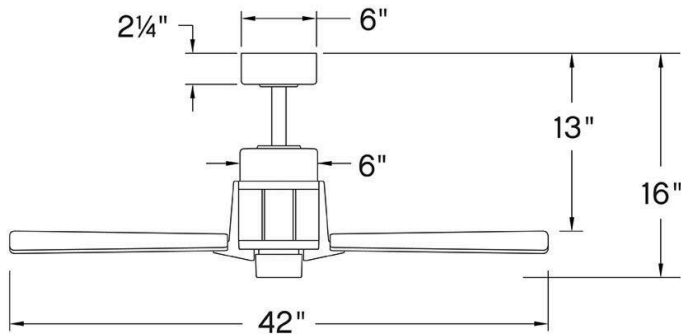


ATTICUS

906242FMB-LDD

ATTICUS 42" LED SMART FAN



DETAILS	
FAN FINISH:	Matte Black
GLASS:	Polycarbonate Lens
BLADE COUNT:	3
SLOPE DEGREE:	20

DIMENSIONS	
WIDTH:	42"
HEIGHT:	16"
WEIGHT:	12.1lb

LIGHT SOURCE	
VOLTAGE:	120v

MOUNTING	
CANOPY:	6" Dia.
LEAD WIRE:	1 X 76"

SHIPPING	
CARTON LENGTH:	26.7
CARTON WIDTH:	13.2
CARTON HEIGHT:	9.5
CARTON WEIGHT:	17.4

Sophisticated leather accents and a variety of finishes add a touch of rich detail to Atticus's contemporary aesthetic. A versatile, damp-rated design complements both interior spaces and covered outdoor areas. Equipped with a 6-speed DC motor that is WiFi enabled and ready to connect right out of the box. Operated by the HIRO control or WiFi compatible with the Hinkley App.

PRODUCT DETAILS:

- This item includes a light kit cover
- Fan Control included, HIRO Control - 6 Speed Reversing
- Suitable for use in damp locations as defined by NEC and CEC. Meets United States UL Underwriters Laboratories & CSA Canadian Standards Association Product Safety Standards.
- For more information on how to control your ceiling fan via the Hinkley Home Automation App, [click here](#).
- This item may be hung on a sloped ceiling
- Bold silhouette with dramatic details creates a modern statement
- WiFi compatible with included fan control
- LED components carry a 5-year limited warranty

HINKLEY

HINKLEY
33000 Pin Oak Parkway
Avon Lake, OH 44012

PHONE: (440) 653-5500
Toll Free: 1 (800) 446-5539

hinkley.com

ATTICUS 42" LED SMART FAN

906242FMB-LDD

PERFORMANCE SPECIFICATIONS	STANDARD	
	HIGH SPEED	AVERAGE SPEED
Airflow	4751	2637
EnergyUse	27.3	18
EnergyCost	7.65	5
Efficiency	174	146
AMPS	0.37	0.21
RPMS	273	162