

METRO

903352FMM-NIA

METRO 52" FAN

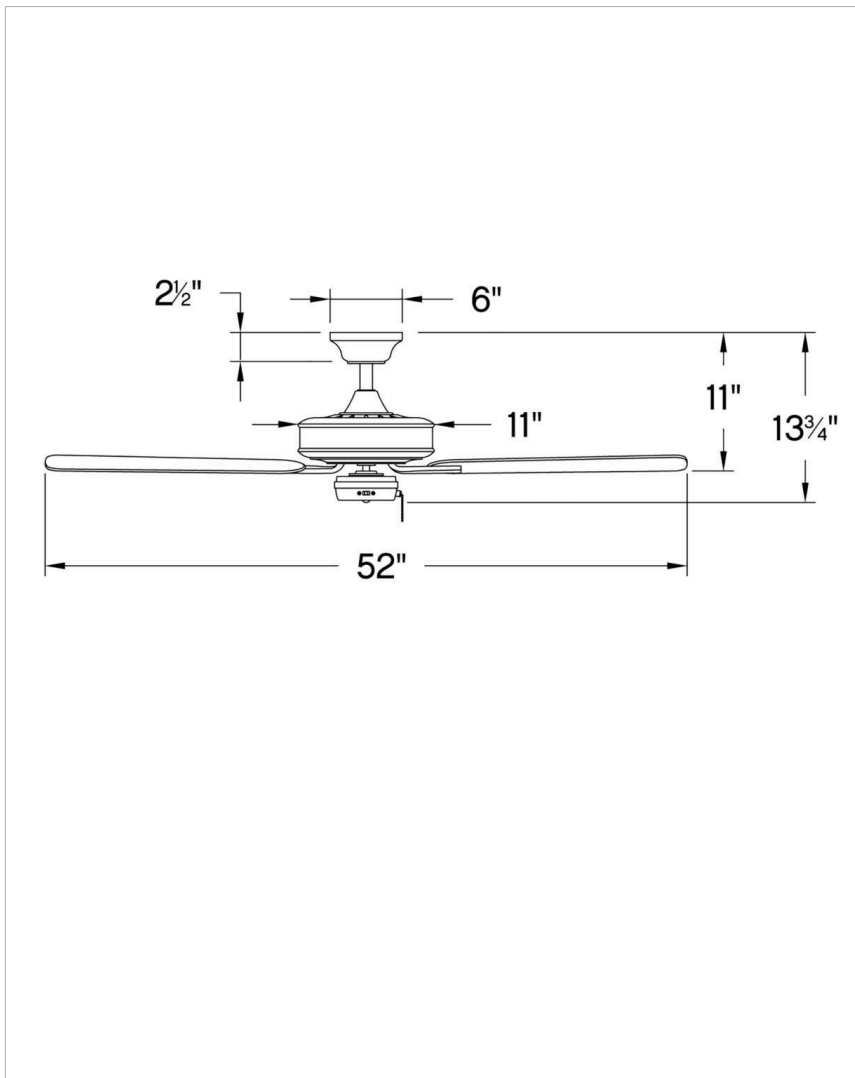
DETAILS	
FAN FINISH:	Metallic Matte Bronze
BLADE COUNT:	5
SLOPE DEGREE:	20

DIMENSIONS	
WIDTH:	52"
HEIGHT:	9.8"
WEIGHT:	16lb

LIGHT SOURCE	
VOLTAGE:	120v

MOUNTING	
CANOPY:	6" Dia.
LEAD WIRE:	1 X 76"

SHIPPING	
CARTON LENGTH:	23.2
CARTON WIDTH:	13.4
CARTON HEIGHT:	10.3
CARTON WEIGHT:	18



Metro evokes a sense of timeless tradition to interiors of all styles. Metro is available in Brushed Nickel with Silver or Matte Black blades, Chalk White with Chalk White or Weathered Wood blades, Matte Black with Matte Black or Walnut blades, Metallic Matte Bronze with Metallic Matte Bronze or Walnut blades. Metro is part of the Regency Collection.

PRODUCT DETAILS:

- Suitable for use in dry (indoor) locations as defined by NEC and CEC. Meets United States UL Underwriters Laboratories & CSA Canadian Standards Association Product Safety Standards.
- Classic, elegant lines and timeless details enhance a traditional space
- This item includes a 4.5" down rod. Other various lengths of down rods are available and sold separately to customize the installation height.
- Add an optional light kit to customize the functionality of the fan
- Pull chain manual reverse, accessory controls available
- For more information on how to control your ceiling fan via the Hinkley Home Automation App, [click here](#).
- This item may be hung on a sloped ceiling
- Accessory controls available that are compatible with your WiFi for the ultimate Smart Home connectivity

HINKLEY

HINKLEY
33000 Pin Oak Parkway
Avon Lake, OH 44012

PHONE: (440) 653-5500
Toll Free: 1 (800) 446-5539

hinkley.com

METRO 52" FAN

903352FMM-NIA

PERFORMANCE SPECIFICATIONS	STANDARD		DUAL MOUNT	
	HIGH SPEED	AVERAGE SPEED	HIGH SPEED	AVERAGE SPEED
Airflow	4672	3513	4553	3266
EnergyUse	57.7	35	61.8	38
EnergyCost	16	10	17	11
Efficiency	81	90	73.7	86
AMPS	0.49	0.35	0.52	0.38
RPMS	154	105	162	36