



# TIER

**902054FMB-LWA**

TIER 54" LED FAN

| DETAILS       |             |
|---------------|-------------|
| FAN FINISH:   | Matte Black |
| GLASS:        | Etched Opal |
| BLADE COUNT:  | 5           |
| SLOPE DEGREE: | 25          |

| DIMENSIONS |       |
|------------|-------|
| WIDTH:     | 54"   |
| HEIGHT:    | 14.8" |
| WEIGHT:    | 24lb  |

| LIGHT SOURCE              |           |
|---------------------------|-----------|
| LED NAME:                 | E2G16W7PP |
| VOLTAGE:                  | 120v      |
| CRI:                      | 90        |
| INCANDESCENT EQUIVALENCY: | 100       |

| MOUNTING   |         |
|------------|---------|
| CANOPY:    | 6" Dia. |
| LEAD WIRE: | 1 X 76" |

| SHIPPING       |      |
|----------------|------|
| CARTON LENGTH: | 25   |
| CARTON WIDTH:  | 11   |
| CARTON HEIGHT: | 12   |
| CARTON WEIGHT: | 26.3 |

TIER

## PRODUCT DETAILS:

- This item includes a 4.5" down rod. Other various lengths of down rods are available and sold separately to customize the installation height.
- Suitable for use in wet (interior direct splash and outdoor direct rain or sprinkler) locations as defined by NEC and CEC. Meets United States UL Underwriters Laboratories.
- This item may be hung on a sloped ceiling
- For more information on how to control your ceiling fan via the Hinkley Home Automation App, [click here](#).
- Fan Control included, HIRO Control - 3 Speed Non-Reversing
- LED components carry a 5-year limited warranty
- Motor carries a lifetime warranty
- Blades, controls, switches, capacitors and hardware carry a 1-year warranty

# HINKLEY

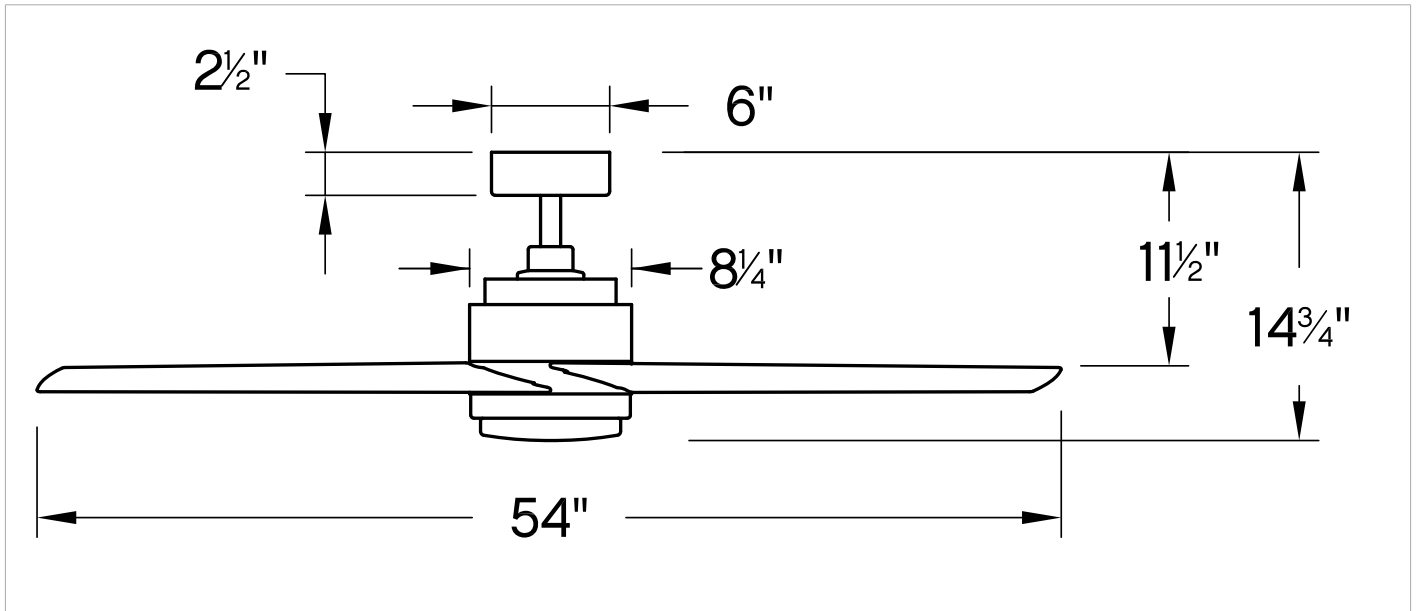
HINKLEY  
33000 Pin Oak Parkway  
Avon Lake, OH 44012

PHONE: (440) 653-5500  
Toll Free: 1 (800) 446-5539

[hinkley.com](http://hinkley.com)

# TIER 54" LED FAN

902054FMB-LWA



| PERFORMANCE SPECIFICATIONS | STANDARD   |               |
|----------------------------|------------|---------------|
|                            | HIGH SPEED | AVERAGE SPEED |
| Airflow                    | 5664       | 3749          |
| EnergyUse                  | 62.8       | 40            |
| EnergyCost                 | 18         | 11            |
| Efficiency                 | 90         | 94            |
| AMPS                       | 0.52       | 0.39          |
| RPMS                       | 155        | 103           |

**AVERAGE PERFORMANCE AND ENERGY INFORMATION**

## ENERGYGUIDE

Estimated Yearly Energy Cost

# \$11

Cost Range of Similar Models (19" – 84")

\$3 | | \$34

- Based on 12 cents per kWh and 6.4 hours use per day
- Your cost depends on rates and use
- Energy Use: 40 Watts

Airflow

# 3,749

Cubic Feet Per Minute

- The higher the airflow, the more air the fan will move
- Airflow Efficiency: 94 Cubic Feet Per Minute Per Watt

All estimates based on typical use, excluding lights [ftc.gov/energy](http://ftc.gov/energy)

Airflow Shown is a Weighted Average of High and Low Cubic Feet per Minute Based on Downrod

# HINKLEY

HINKLEY  
33000 Pin Oak Parkway  
Avon Lake, OH 44012

PHONE: (440) 653-5500  
Toll Free: 1 (800) 446-5539

[hinkley.com](http://hinkley.com)