



SWELL

903860FGT-NDD

SWELL 60" FAN

DETAILS	
FAN FINISH:	Graphite
BLADE COUNT:	3
SLOPE DEGREE:	20

DIMENSIONS	
WIDTH:	60"
HEIGHT:	13.8"
WEIGHT:	16.1lb

LIGHT SOURCE	
VOLTAGE:	120v

MOUNTING	
CANOPY:	6" Dia.
LEAD WIRE:	1 x 76"

SHIPPING	
CARTON LENGTH:	34.1
CARTON WIDTH:	12.6
CARTON HEIGHT:	11.4
CARTON WEIGHT:	18.7

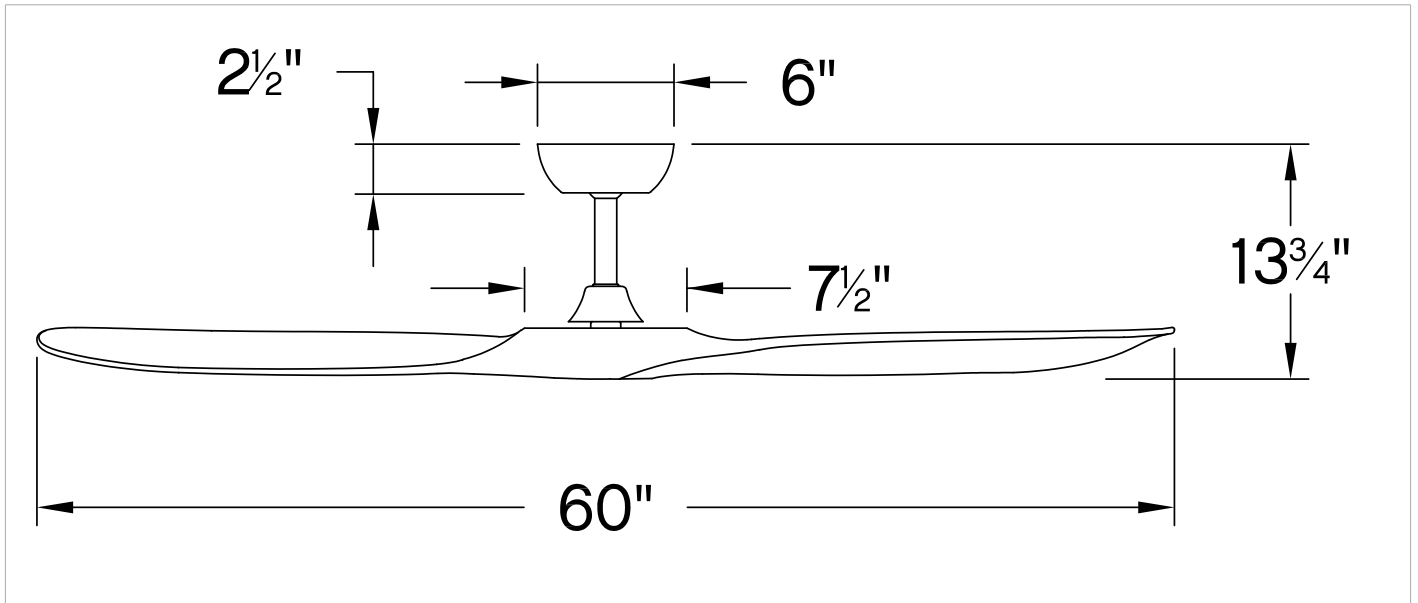
Swell is sophisticated and distinct in design without sacrificing on its purpose. Available in Matte Black with Walnut blades or Graphite with Driftwood blades, Swell sets the tone for all contemporary spaces. Swell is DAMP rated, making it perfect for both interior and outdoor settings.

PRODUCT DETAILS:

- Fan Control included, HIRO Control - 6 Speed Reversing
- Suitable for use in damp locations as defined by NEC and CEC. Meets United States UL Underwriters Laboratories & CSA Canadian Standards Association Product Safety Standards.
- For more information on how to control your ceiling fan via the Hinkley Home Automation App, [click here](#).
- This item may be hung on a sloped ceiling
- Bold silhouette with dramatic details creates a modern statement
- WiFi compatible with included fan control
- This item includes a 6" down rod. Other various lengths of down rods are available and sold separately to customize the installation height.
- Powered by a highly efficient and quiet DC motor

SWELL 60" FAN

903860FGT-NDD



PERFORMANCE SPECIFICATIONS	STANDARD	
	HIGH SPEED	AVERAGE SPEED
Airflow	8521	6059
EnergyUse	30.5	19
EnergyCost	9	5
Efficiency	279	325
AMPS	0.47	0.28
RPMS	155	106