

SURF

2355BZ

LARGE WALL MOUNT LANTERN

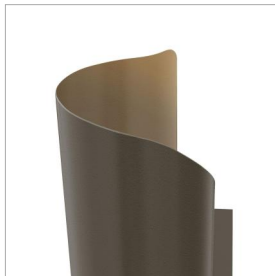
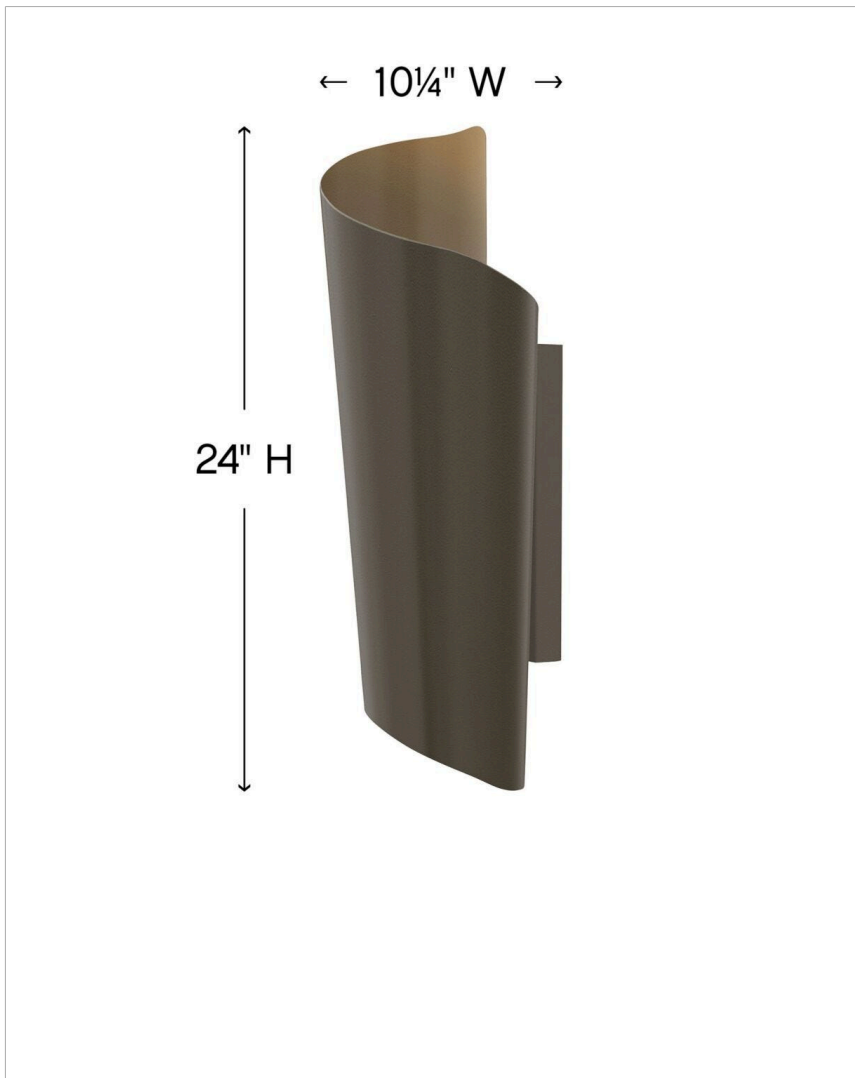
Surf's chic design reflects the natural curl of a breaking wave. Constructed of solid aluminum, this LED lantern emits light both up and down. Surf is finished with marine grade powder coat for maximum durability.

DETAILS	
FINISH:	Bronze
MATERIAL:	Aluminum
DIMMABLE:	YES

DIMENSIONS	
WIDTH:	10.3"
HEIGHT:	24"
WEIGHT:	5lb
BACK PLATE:	5"W X 11.5"H
EXTENSION:	8"
TOP TO OUTLET:	14.000000"

LIGHT SOURCE	
LIGHT SOURCE:	Integrated LED
LED NAME:	(2) LESF-2
VOLTAGE:	120v
LUMENS:	2000
CRI:	90
INCANDESCENT EQUIVALENCY:	2-75w
DIMMABLE:	YES

SHIPPING	
CARTON LENGTH:	15
CARTON WIDTH:	11.5
CARTON HEIGHT:	28.5
CARTON WEIGHT:	8



PRODUCT DETAILS:

- Suitable for use in wet (outdoor direct rain) locations as defined by NEC and CEC. Meets United States UL Underwriters Laboratories & CSA Canadian Standards Association Product Safety Standards
- Exclusively available in High Performance LED
- 2-year finish warranty
- LED components carry a 5-year limited warranty
- Bold lines and a clean, minimalist style complement contemporary architecture

HINKLEY

HINKLEY
33000 Pin Oak Parkway
Avon Lake, OH 44012

PHONE: (440) 653-5500
Toll Free: 1 (800) 446-5539

hinkley.com